

BUFFALO

Bains Marie



Models:

L310/L371/S007/S047/S077/S377/S378

Table of Contents

Safety Tips	1
Introduction	1
Pack Contents	1
Operation	2
Maintaining Water Levels	2
Emptying the Appliance	2
Cleaning, Care & Maintenance	2
Troubleshooting	3
Technical Specifications	3
Exploded Diagram	4
Spares List	4
Circuit Diagram	5
Electrical Wiring	5
Compliance	5

Safety Tips

- Position on a flat, stable surface.
- A service agent/qualified technician should carry out installation and any repairs if required. Do not remove any components on this product.
- Consult Local and National Standards to comply with the following:
 - Health and Safety at Work Legislation
 - BS EN Codes of Practice
 - Fire Precautions
 - IEE Wiring Regulations
 - Building Regulations
- DO NOT immerse the appliance in water, or use jet/pressure washers to clean it.
- DO NOT touch hot surfaces with bare hands. Always use the handles/protective gloves.
- DO NOT overfill the appliance. Keep the water level below the 'MAX' level.
- DO NOT allow the water level to drop below the 'MIN' level during operation.
- DO NOT move the appliance when it contains hot liquid.
- DO NOT use the appliance for anything other than its intended use.
- Always switch off and disconnect the power supply to the appliance when not in use.
- Not suitable for outdoor use.
- Keep all packaging away from children. Dispose of the packaging in accordance to the regulations of local authorities.
- If the power cord is damaged, it must be replaced by an BUFFALO agent or a recommended qualified technician in order to avoid a hazard.

Introduction

Please take a few moments to carefully read through this manual. Correct maintenance and operation of this appliance will provide the best possible performance from your BUFFALO product.

Pack Contents

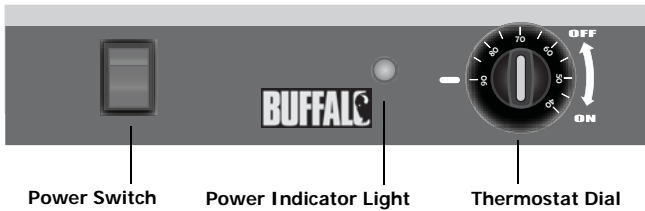
The following is included:

- BUFFALO Bains Marie
- 6 litre pots x 2 (S077 only)
- Pans 2 x 1/3 and 2 x 1/6 (S007/S047 only)
- Instruction manual
- Support bars (S007/S047 only)

BUFFALO prides itself on quality and service, ensuring that at the time of packaging the contents are supplied fully functional and free of damage.

Should you find any damage as a result of transit, please contact your BUFFALO dealer immediately.

Operation



1. Connect the appliance to the power supply.
2. Fill the tank with water to a level between the 'MIN' and 'MAX' marks on the inside of the tank.

⚠ Note: BUFFALO recommend that fresh water be used each time the appliance is used.

3. Switch the power switch to the On position [I]. The red power indicator light will turn on.
4. Turn the thermostat to the highest setting (90°C) to heat-up the appliance.
5. Reduce the heat setting once the appliance has heated the water. An operating temperature of 75°C - 80°C is sufficient.

⚠ Note: Do not allow the water to drop below the 'MIN' level during operation. Severe damage to the heating element could result.

Maintaining Water Levels

It is important to regularly check the water level in the Bains Marie tank.

Always keep the water level above the 'MIN' mark on the inside of the tank during operation.

Damage to the heating element can occur if the tank boils dry and the element may have to be replaced.

This is not covered by the BUFFALO warranty.

Emptying the Appliance

⚠ Note: Always switch the appliance off allow the water to cool before emptying.

Use a suitable vessel to remove the water from the appliance.

L310/S047 Only - Turn on the tap to drain the water. Ensure a suitable container is used to collect the water.

Cleaning, Care & Maintenance

⚠ Note: Always switch off and disconnect the appliance from the power supply before cleaning.

Always allow the appliance to cool before emptying or cleaning.

- Wipe down the exterior of the appliance with a damp cloth.
- Some cleaning agents may cause damage when used for a prolonged period on stainless steel. Use a suitable stainless steel cleaner such as Sanizap Stainless Steel Cleaner (Product code: U386).
- Dry the exterior thoroughly.
- Wash all removable parts in warm, soapy water.

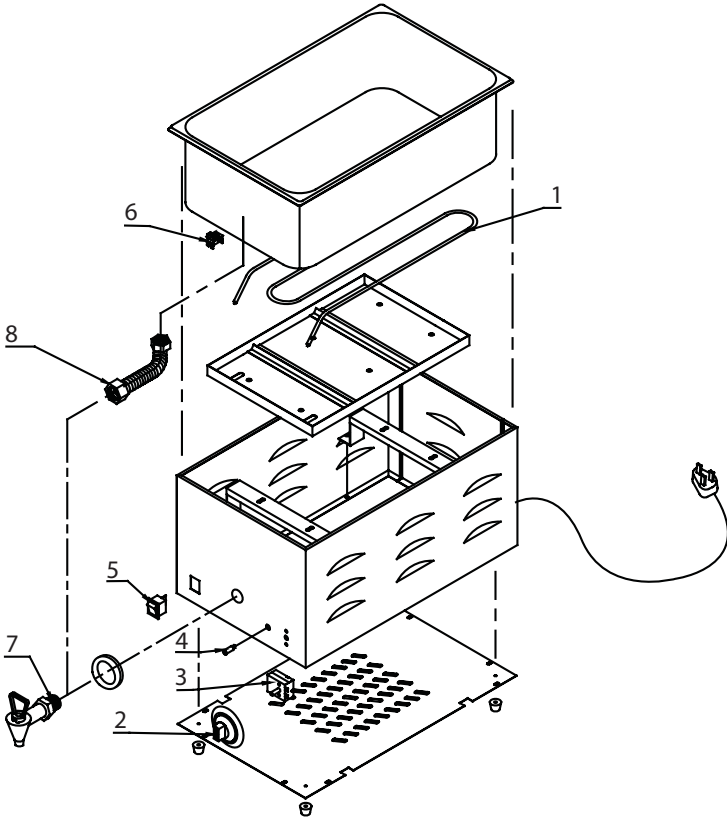
Troubleshooting

Fault	Probable Cause	Action
The unit is not working	The unit is not switched on	Check the unit is plugged in correctly and switched on
	Plug and lead are damaged	Call BUFFALO agent or qualified technician
	Fuse in the plug has blown	Replace the plug fuse
	Power supply	Check power supply
	Internal wiring fault	Call BUFFALO agent or qualified technician
	The thermal cut out switch has tripped	Call BUFFALO agent or qualified technician
	The thermostat has not been set correctly	Set the thermostat to a higher temperature
	The heating element has failed	Call BUFFALO agent or qualified technician

Technical Specifications

Model	Voltage	Power	Current	Weight	Dimensions h x w x d mm
L310	230V 50Hz	1500W	6.6A	10.8kg	270 x 340 x 615
S047				10.8kg	275 x 340 x 615
S007				10.8kg	275 x 340 x 615
S377				10.8kg	275 x 340 x 615
L371				10.8kg	270 x 340 x 615
S378				10.8kg	270 x 340 x 615
S077				11.25kg	324 x 340 x 565

Exploded Diagram




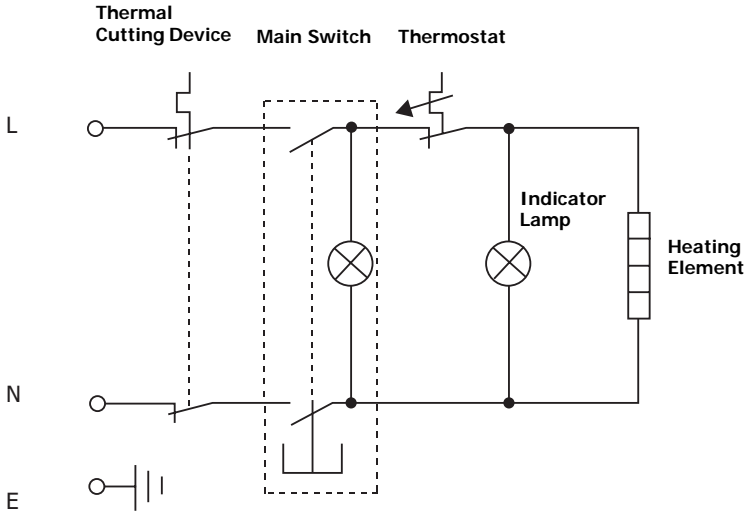
Spares List

Number	Description	Spare Code
1	Heating Element	N441
2	Thermostat Dial	N433
3	Thermostat	N432
4	Indicator Light	N430
5	On/Off Switch	N431
6	Thermal Cut-out	N487
7	Drip Tap*	N335
8	Hose*	AB826

*(L310/S047 only)

Circuit Diagram

 **Note: This circuit diagram has been provided to assist qualified technicians. Do not remove any components or service panels on the appliance.**



Electrical Wiring

This appliance is supplied with a 3 pin, moulded, BS1363 plug and lead, with a 13 amp fuse as standard. The plug is to be connected to a suitable mains socket.

This appliance is wired as follows:

- Live wire (coloured brown) to terminal marked L
- Neutral wire (coloured blue) to terminal marked N
- Earth wire (coloured green/yellow) to terminal marked E

This appliance must be earthed, using a dedicated earthing circuit.

If in doubt consult a qualified electrician.

Electrical isolation points must be kept clear of any obstructions. In the event of any emergency disconnection being required they must be readily accessible.

Compliance

BUFFALO parts have undergone strict product testing in order to comply with regulatory standards and specifications set by international, independent, and federal authorities.

BUFFALO products have been approved to carry the following symbol:





BUFFALO Telephone Helpline: 0845 146 2887

BUFFALO, Fourth Way, Avonmouth, United Kingdom, BS11 8TB