

# BUFFALO

J300 Rice Cooker



# Table of Contents

Safety Tips . . . . .	1
Introduction . . . . .	1
Pack Contents . . . . .	1
Operation. . . . .	2
Cooking Tips . . . . .	2
Using the Rice Cooker . . . . .	2
Rice/Water Measurements . . . . .	3
Cleaning, Care & Maintenance . . . . .	3
Troubleshooting . . . . .	4
Technical Specifications . . . . .	4
Spares List . . . . .	4
Circuit Diagram . . . . .	5
Electrical Wiring . . . . .	5
Compliance . . . . .	5

# Safety Tips

- Position on a flat, stable surface.
- A service agent/qualified technician should carry out installation and any repairs if required. Do not remove any components on this product.
- Consult Local and National Standards to comply with the following:
  - Health and Safety at Work Legislation
  - BS EN Codes of Practice
  - Fire Precautions
  - IEE Wiring Regulations
  - Building Regulations
- DO NOT immerse the appliance in water.
- Do not touch hot surfaces with bare hands. Always use protective gloves.
- Use extreme caution when moving or handling appliances containing hot oil or any other hot liquid.
- Never fill the inner bowl above the top water line.
- Never allow water or any liquid into the outer pot.
- Only use utensils provided with this appliance when using the rice cooker. Sharp objects may damage the non-stick coating of the inner bowl.
- Do not use the appliance for anything other than its intended use.
- Do not plug in the cable until ready to cook. The rice cooker's power will remain ON unless unplugged.
- Always switch off and disconnect the power supply to the appliance when not in use.
- Not suitable for outdoor use.
- Keep all packaging away from children. Dispose of the packaging in accordance to the regulations of local authorities.
- If the power cord is damaged, it must be replaced by an BUFFALO agent or a recommended qualified technician in order to avoid a hazard.

## Introduction

Please take a few moments to carefully read through this manual. Correct maintenance and operation of this machine will provide the best possible performance from your BUFFALO product.

## Pack Contents

The following is included:

- BUFFALO Rice cooker
- Measuring cup
- Spoon
- Fork
- Instruction manual

BUFFALO prides itself on quality and service, ensuring that at the time of packaging the contents are supplied fully functional and free of damage.

Should you find any damage as a result of transit, please contact your BUFFALO dealer immediately.

# Operation

## Cooking Tips

Wash the rice thoroughly before cooking. This helps to stop rice grains sticking together.

- A small amount of vegetable oil in the rice can help separate grains.
- Brown or wild rice may require additional water.

## Using the Rice Cooker

The inner bowl features water measurement lines inside as a guide. The cup provided is designed to measure the rice and water.

1. Measure the desired amount of rice using the measuring cup supplied.



**Note: One cup of rice will produce approximately two cups of cooked rice.**

2. Rinse the rice in a sieve under running water to remove excess bran and starch.
3. Pour the rice into the inner bowl. To achieve evenly cooked rice, spread evenly around the bowl.
4. Add the correct amount of water by using the measuring cup, or by filling the inner bowl to the appropriate level.



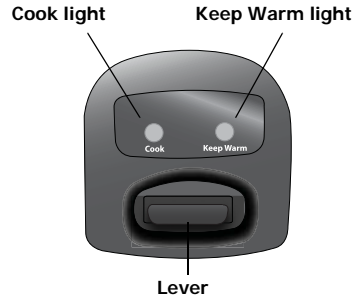
**Note: Slightly reduce the amount of water for firmer rice, and increase the amount for softer rice.**

5. Place the inner bowl into the rice cooker..



**Note: Ensure there is no rice or moisture on the outside of the inner bowl.**


6. Close the lid and press down until the latch snaps shut.
7. Connect the rice cooker to the power.
8. Depress the lever to the COOK position. The Cook light turns on.
9. Once cooking is finished the switch automatically moves to the WARM position. The Warm light turns on.
10. Keep the lid closed for 10 - 15 minutes for best results.
11. Carefully open the lid, allowing any steam and condensation to run back into the rice cooker.
12. Stir the rice and serve as quickly as possible.
13. Disconnect the appliance from the power supply.



## Rice/Water Measurements

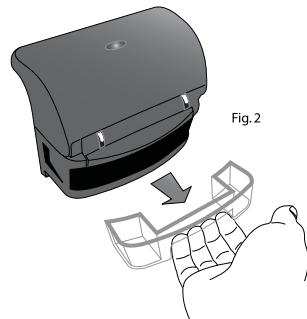
Raw Rice (White)	Water with Measuring Cup	Water Level on Inner Bowl
2 Cups	2-2¼ Cups	10
3 Cups	3-3¼ Cups	15
4 Cups	4-4¼ Cups	20
5 Cups	5-5¼ Cups	25
6 Cups	6-6¼ Cups	30

## Cleaning, Care & Maintenance

 **Note: Always switch off and disconnect the appliance from the power supply before cleaning.**

**Always allow the appliance to cool before cleaning.**

1. Remove the inner bowl and wash in warm, soapy water. Do not use harsh abrasive cleaners or products that are not recommended for use on non-stick coatings.
2. Rinse and dry thoroughly.
3. Gently pull the inner lid from the centre pin and wash in warm, soapy water [Fig. 1].
4. Remove the water collector from below the lid hinge by pulling outwards [Fig. 2]. Discard the water collected after each use.
5. Clean and replace the water collector.
6. Clean the exterior of the rice cooker with a damp cloth.
7. Ensure the heating plate is clean and free of food or other debris that could interfere the cooking process.
8. Dry the heating plate thoroughly before use.



# Troubleshooting

Fault	Probable Cause	Action
The unit is not working	The unit is not switched on	Check the unit is plugged in correctly and switched on
	Plug and lead are damaged	Call BUFFALO agent or qualified technician
	Fuse in the plug has blown	Replace the plug fuse
	Power supply	Check power supply
	Internal wiring fault	Call BUFFALO agent or qualified technician
	The bowl is not in contact with the heating plate	Realign bowl
Rice is not thoroughly cooked	The bowl is not in contact with the heating plate	Reposition bowl
	The bowl has become deformed	Replace bowl
	Too much water	Decrease the amount of water used
Rice is overcooked	Not enough rice cooked	Place smaller amounts of rice to the centre of the bowl or increase the amount of rice
	Not enough water	Increase the amount of water used


# Technical Specifications

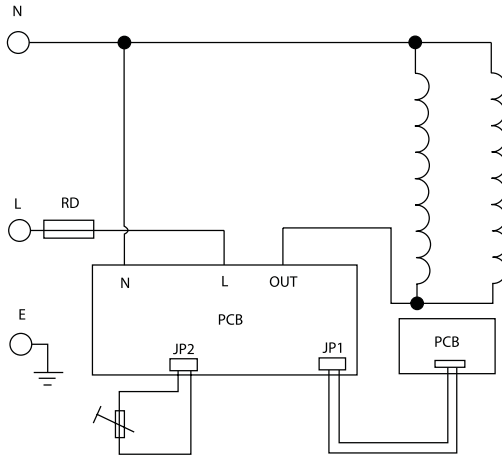
Model	Voltage	Power	Current	Capacity	Weight	Dimensions h x w x d mm
J300	230V 50Hz	1950W	8.5A	6 Litres	10Kg	365 x 440 x 3440

# Spares List

Description	Code
Water Collector	AB821
Inner Bowl	AB820
Inner Lid	AB823
Centre Pin Gasket	AB824
Silastic Gasket Ring	AB822

# Circuit Diagram

 **Note: This circuit diagram has been provided to assist qualified technicians. Do not remove any components or service panels on the appliance.**



## Electrical Wiring

The J300 rice cooker is supplied with a 3 pin, moulded, BS1363 plug and lead, with a 13 amp fuse as standard.

The plug is to be connected to a suitable mains socket.

The J300 rice cooker is wired as follows:

- Live wire (coloured brown) to terminal marked L
- Neutral wire (coloured blue) to terminal marked N
- Earth wire (coloured green/yellow) to terminal marked E

All rice cookers must be earthed, using a dedicated earthing circuit.

If in doubt consult a qualified electrician.

Electrical isolation points must be kept clear of any obstructions. In the event of any emergency disconnection being required they must be readily accessible.

## Compliance

BUFFALO parts have undergone strict product testing in order to comply with regulatory standards and specifications set by international, independent, and federal authorities.

BUFFALO products have been approved to carry the following symbol:





**BUFFALO Telephone Helpline: 0845 146 2887**  
**BUFFALO, Fourth Way, Avonmouth, United Kingdom, BS11 8TB**